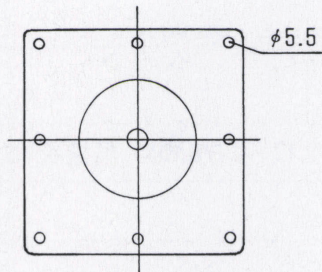
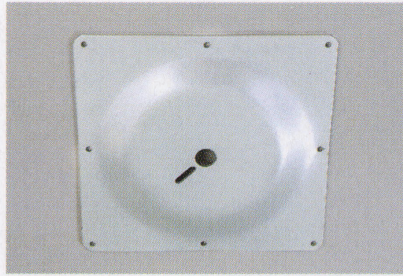


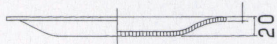
受座

テーブル用規格品 (ビス止め用)

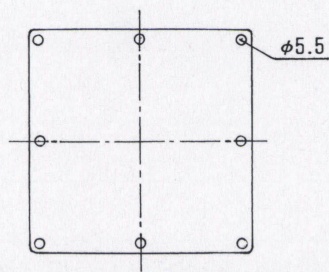
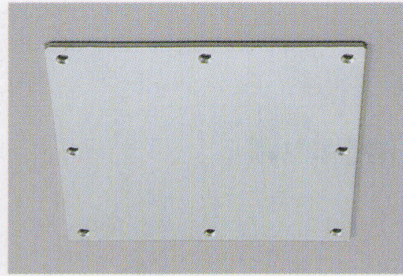
U-TP型



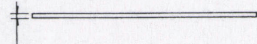
U-TP 200 (195×195×3.2t) ¥ 1,600
 U-TP 240 (240×240×4.0t) ¥ 2,100
 U-TP 300 (297×297×4.0t) ¥ 3,000
 U-TP 350 (346×346×4.0t) ¥ 4,400
 U-TP 400 (405×405×4.0t) ¥ 5,100
 U-TP 400×300 (405×300×4.0t) ¥ 4,000



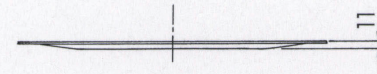
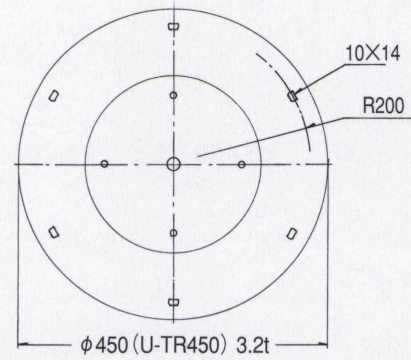
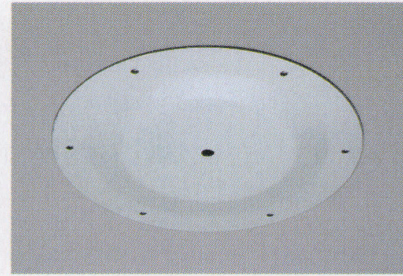
U-TF型



U-TF 200 (200×200×3.2t) ¥ 1,050
 U-TF 240 (243×243×3.2t) ¥ 1,800
 U-TF 300 (300×300×4.0t) ¥ 2,700
 U-TF 350 (347×347×4.0t) ¥ 4,000
 U-TF 400 (407×407×4.0t) ¥ 4,700

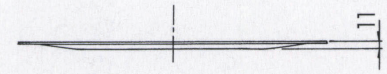
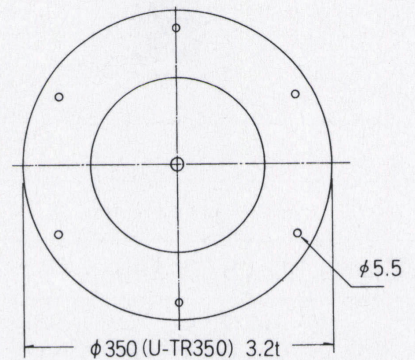
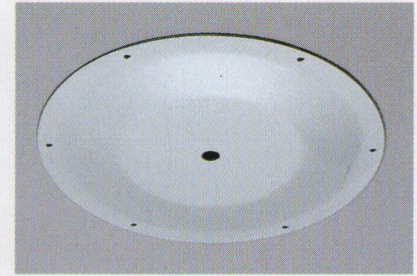


U-TR型



¥6,900

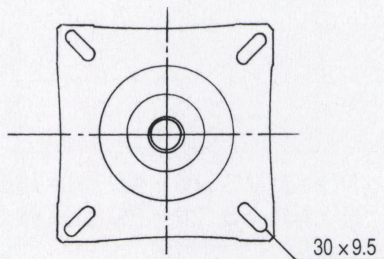
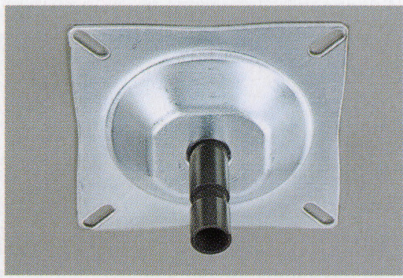
U-TR型



¥3,900

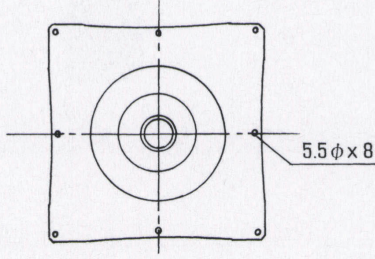
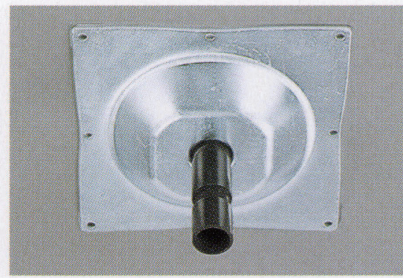
(イス用規格品)

U-CK-N型



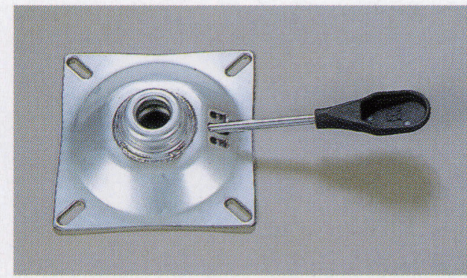
U-CK-N150 110P~135P ¥ 2,100
 U-CK-N170 125P~150P ¥ 2,300
 U-CK-N200 150P~175P ¥ 2,700

U-CB-N型

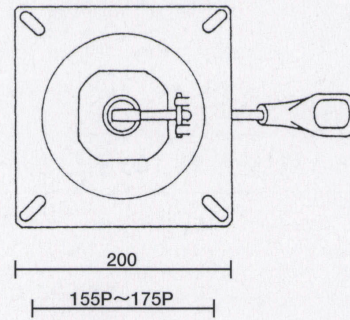


U-CB-N150 ¥ 2,100
 U-CB-N170 ¥ 2,300
 U-CB-N200 ¥ 2,700

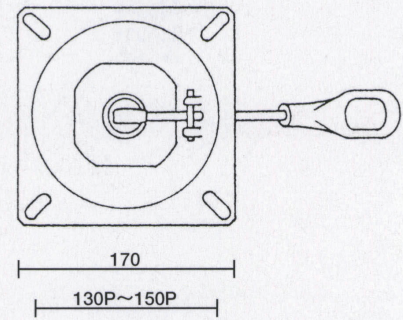
U-TK-R型



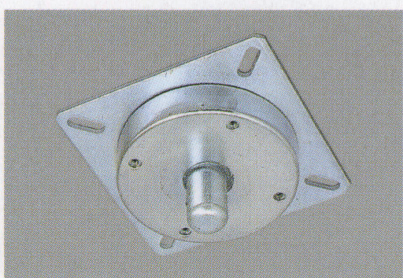
U-TK-R-200 ¥3,000



U-TK-R-170 ¥2,600



U-AT型 (オートリターン装置)



¥11,500

